

3B	BOM CHANGES ONLY	MAJ				
3A	ADDED PAGING MOD	MAJ				
2B	CHANGED L305 FROM 35H45 TO 35H40	DAVES				
2A	7094.7129.0000.7130	DAVES				
1A	D-RUN-UPDATE	DAVES				
0A	ORIGINAL	DAVES				
REV/ISS	AMENDMENTS	DRAWN	CHKD	D.O.	APVD	DATE

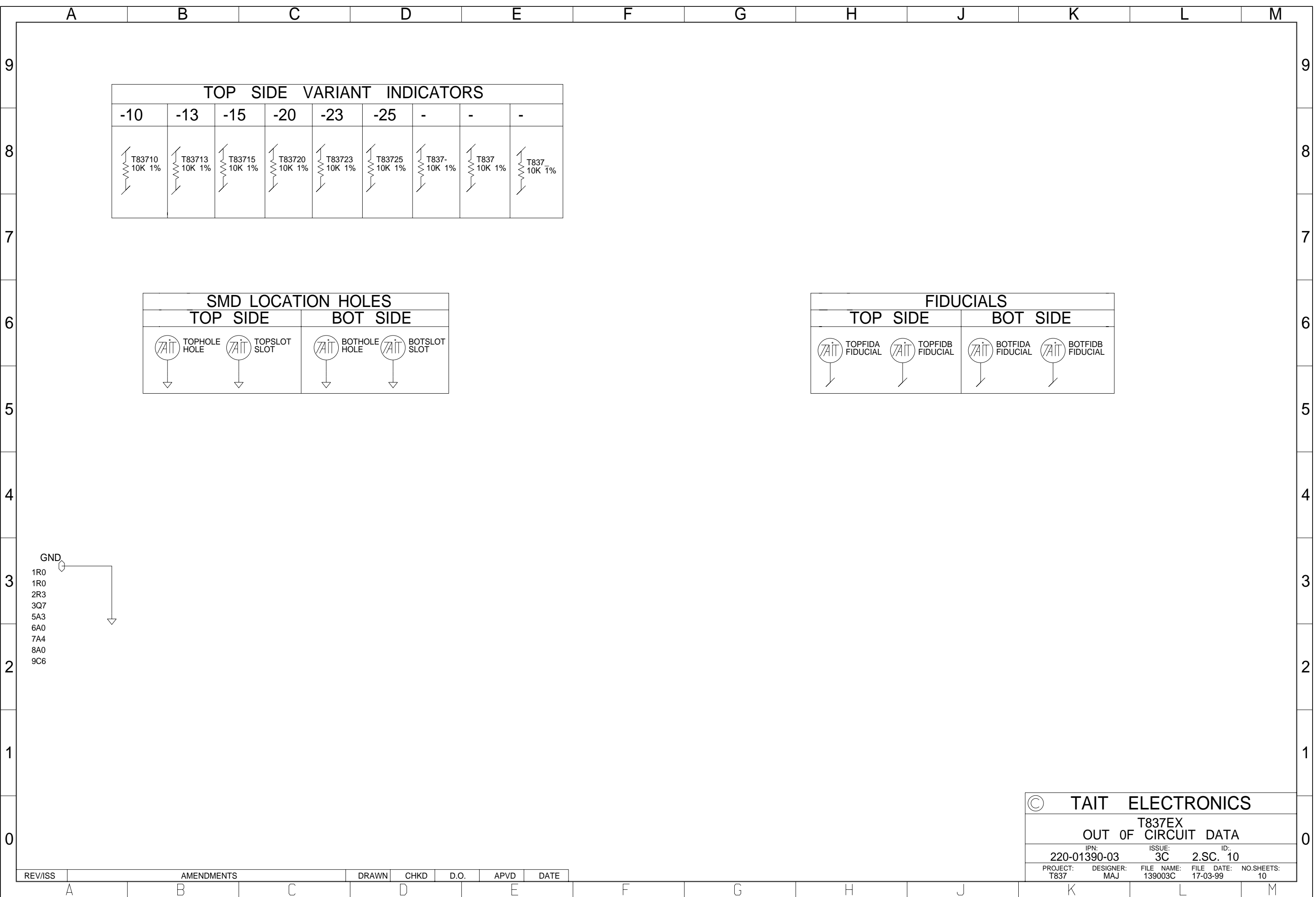
PL100
15 WAY R-ANGLE DRANGE PLUG

OUT-OF-CIRCUIT-DATA
SHEET 10

© TAIT ELECTRONICS
T837EX

IPN: 220-01390-03 ISSUE: 3C ID: 2.S.C. 1

PROJECT: T837 DESIGNER: MAJ FILE NAME: 139003C FILE DATE: 17-03-99 NO.SHEETS: 10



TOP SIDE VARIANT INDICATORS								
-10	-13	-15	-20	-23	-25	-	-	-

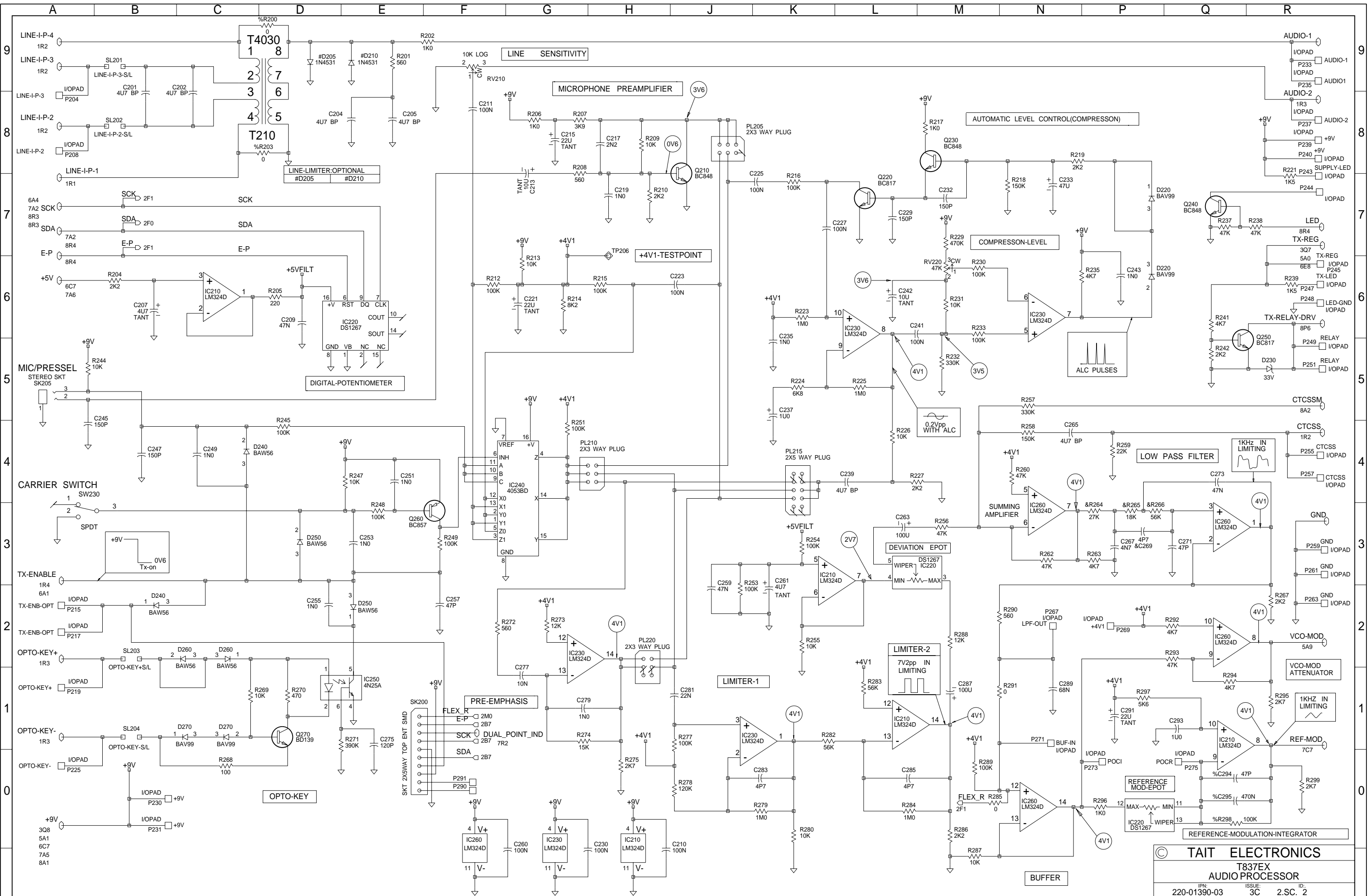
SMD LOCATION HOLES			
TOP SIDE		BOT SIDE	

FIDUCIALS			
TOP SIDE		BOT SIDE	

- GND
- 1R0
 - 1R0
 - 2R3
 - 3Q7
 - 5A3
 - 6A0
 - 7A4
 - 8A0
 - 9C6

© TAIT ELECTRONICS				
T837EX				
OUT OF CIRCUIT DATA				
PROJECT:	DESIGNER:	FILE NAME:	FILE DATE:	NO.SHEETS:
T837	MAJ	139003C	17-03-99	10

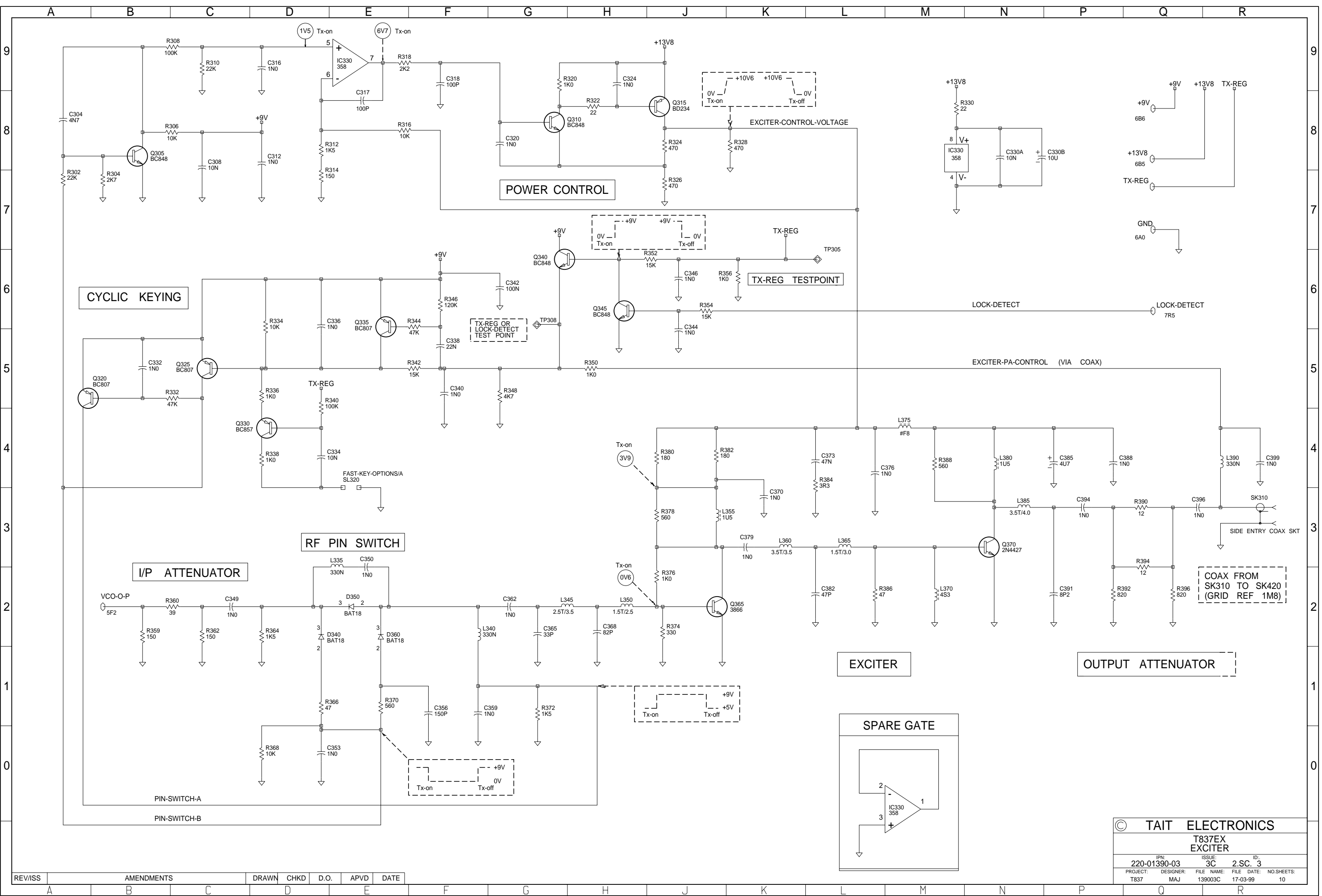
REV/ISS	AMENDMENTS	DRAWN	CHKD	D.O.	APVD	DATE



TAIT ELECTRONICS
T837EX
AUDIO PROCESSOR

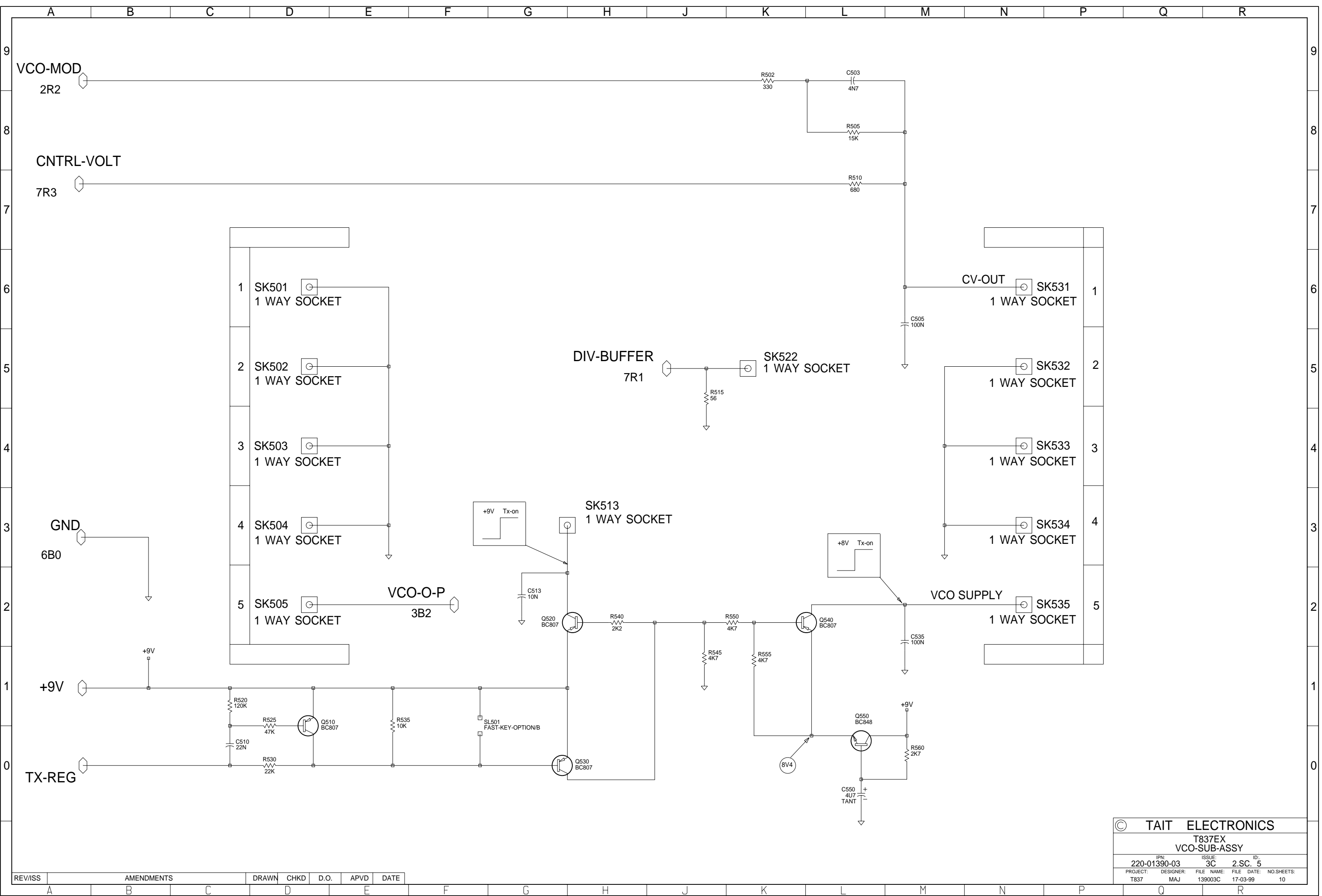
IPN: 220-01390-03	ISSUE: 3C	ID: 2.S.C. 2
PROJECT: T837	DESIGNER: MAJ	FILE NAME: 139003C
		DATE: 17-03-99
		NO.SHEETS: 10

REV/ISS	AMENDMENTS	DRAWN	CHKD	D.O.	APVD	DATE



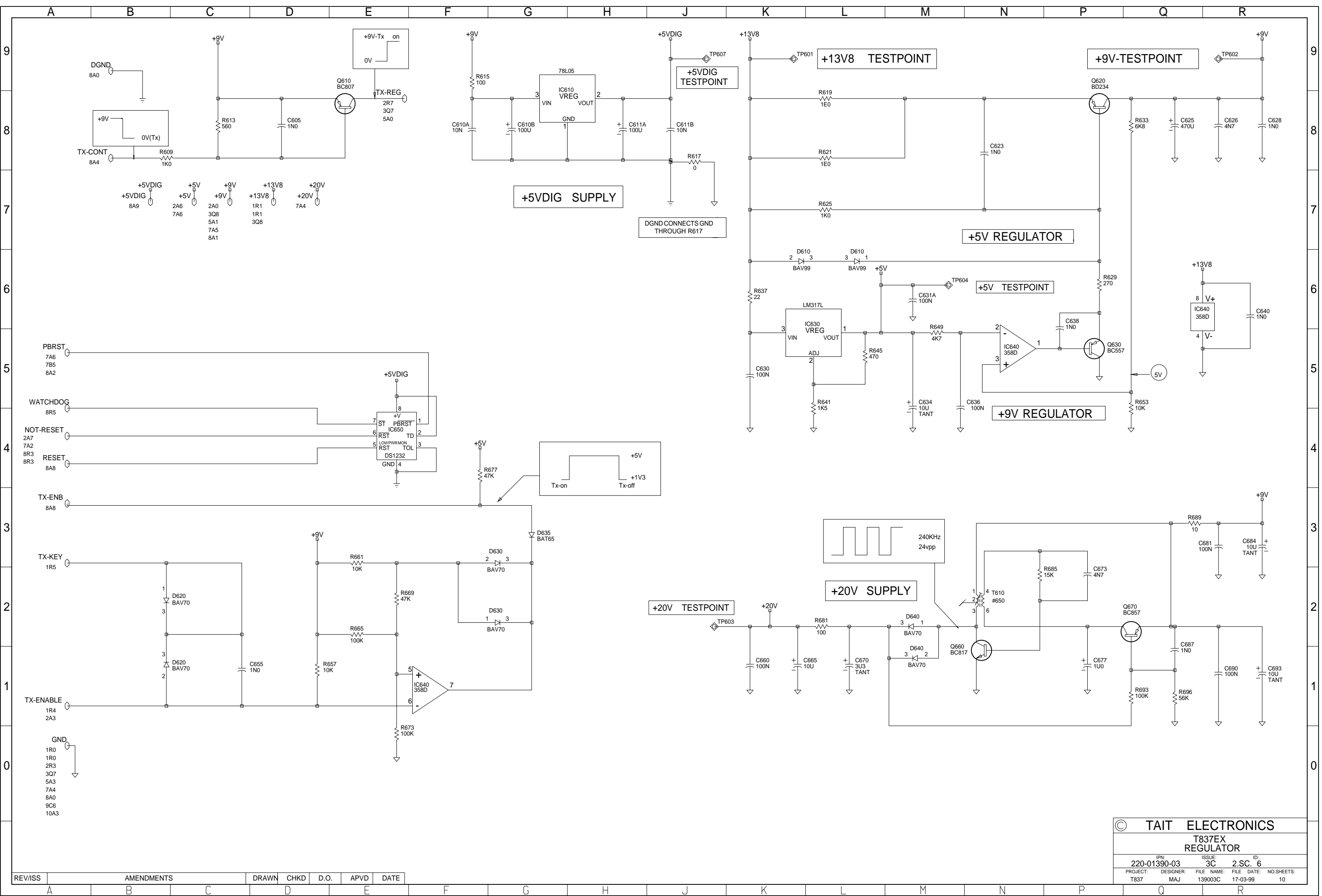
© TAIT ELECTRONICS			
T837EX EXCITER			
IPN: 220-01390-03	ISSUE: 3C	ID: 2.S.C. 3	
PROJECT: T837	DESIGNER: MAJ	FILE NAME: 139003C	FILE DATE: 17-03-99
			NO. SHEETS: 10

REV/ISS	AMENDMENTS	DRAWN	CHKD	D.O.	APVD	DATE

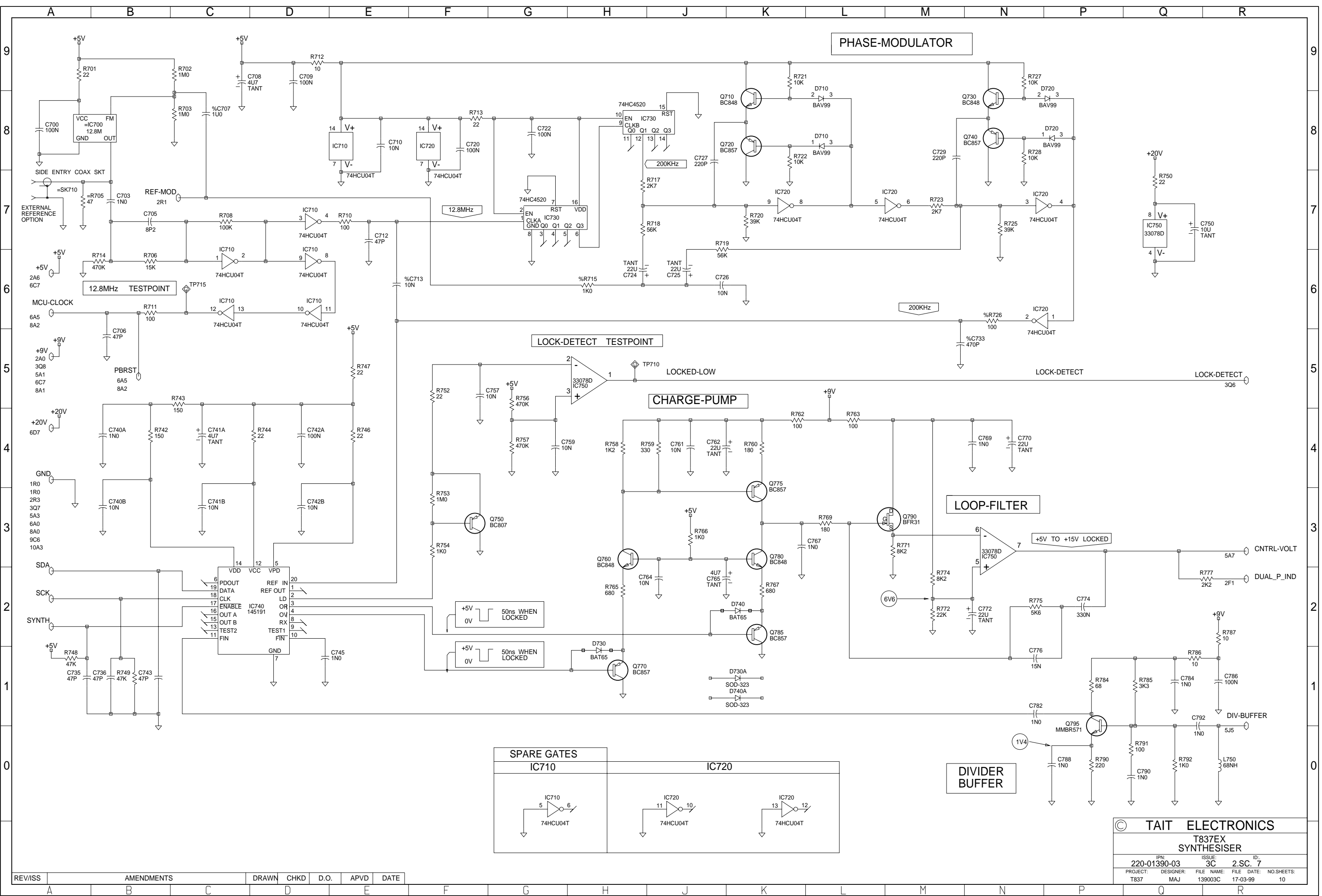


© TAIT ELECTRONICS			
T837EX VCO-SUB-ASSY			
IPN: 220-01390-03	ISSUE: 3C	ID: 2.S.C. 5	
PROJECT: T837	DESIGNER: MAJ	FILE NAME: 139003C	FILE DATE: NO.SHEETS: 17-03-99 10

REV/ISS	AMENDMENTS	DRAWN	CHKD	D.O.	APVD	DATE
A						



REV/ISS	AMENDMENTS	DRAWN	CHKD	D.O.	APVD	DATE
A						



PHASE-MODULATOR

LOCK-DETECT TESTPOINT

CHARGE-PUMP

LOOP-FILTER

DIVIDER BUFFER

SPARE GATES

IC710	IC720

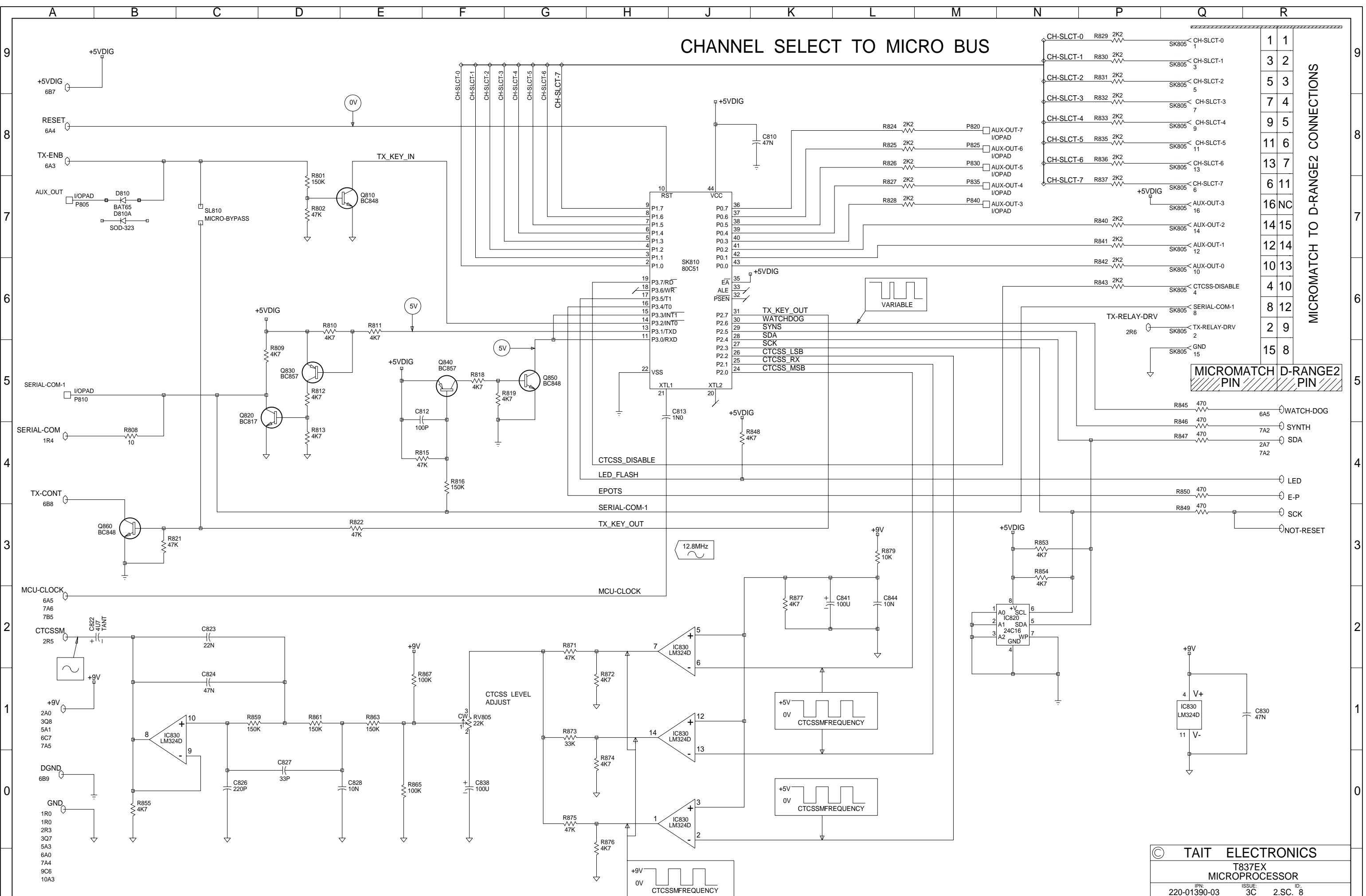
© TAIT ELECTRONICS

T837EX SYNTHESIZER

IPN: 220-01390-03	ISSUE: 3C	ID: 2.S.C. 7
PROJECT: T837	DESIGNER: MAJ	FILE NAME: 139003C
DATE: 17-03-99	NO. SHEETS: 10	

REV/ISS	AMENDMENTS	DRAWN	CHKD	D.O.	APVD	DATE
A						

CHANNEL SELECT TO MICRO BUS



CH-SLCT-0	R829	2K2	SK805	CH-SLCT-0	1	1
CH-SLCT-1	R830	2K2	SK805	CH-SLCT-1	3	2
CH-SLCT-2	R831	2K2	SK805	CH-SLCT-2	5	3
CH-SLCT-3	R832	2K2	SK805	CH-SLCT-3	7	4
CH-SLCT-4	R833	2K2	SK805	CH-SLCT-4	9	5
CH-SLCT-5	R835	2K2	SK805	CH-SLCT-5	11	6
CH-SLCT-6	R836	2K2	SK805	CH-SLCT-6	13	7
CH-SLCT-7	R837	2K2	SK805	CH-SLCT-7	15	8
			SK805	AUX-OUT-3	16	NC
			SK805	AUX-OUT-2	14	15
			SK805	AUX-OUT-1	12	14
			SK805	AUX-OUT-0	10	13
			SK805	CTCSS-DISABLE	4	10
			SK805	SERIAL-COM-1	8	12
			SK805	TX-RELAY-DRV	2	9
			SK805	GND	15	8

MICROMATCH TO D-RANGE2 CONNECTIONS

MICROMATCH PIN	D-RANGE2 PIN
6A5	WATCH-DOG
7A2	SYNTH
2A7	SDA
7A2	LED
	E-P
	SCK
	NOT-RESET

TAIT ELECTRONICS
T837EX
MICROPROCESSOR

IPN: 220-01390-03	ISSUE: 3C	ID: 2.S.C. 8
PROJECT: T837	DESIGNER: MAJ	FILE NAME: 139003C
FILE DATE: 17-03-99	NO. SHEETS: 10	

REV/ISS	AMENDMENTS	DRAWN	CHKD	D.O.	APVD	DATE
A						
B						
C						
D						
E						

A B C D E F G H J K L M

9

8

7

6

5

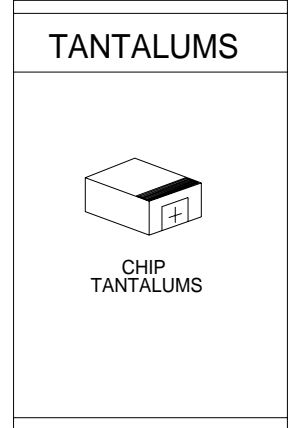
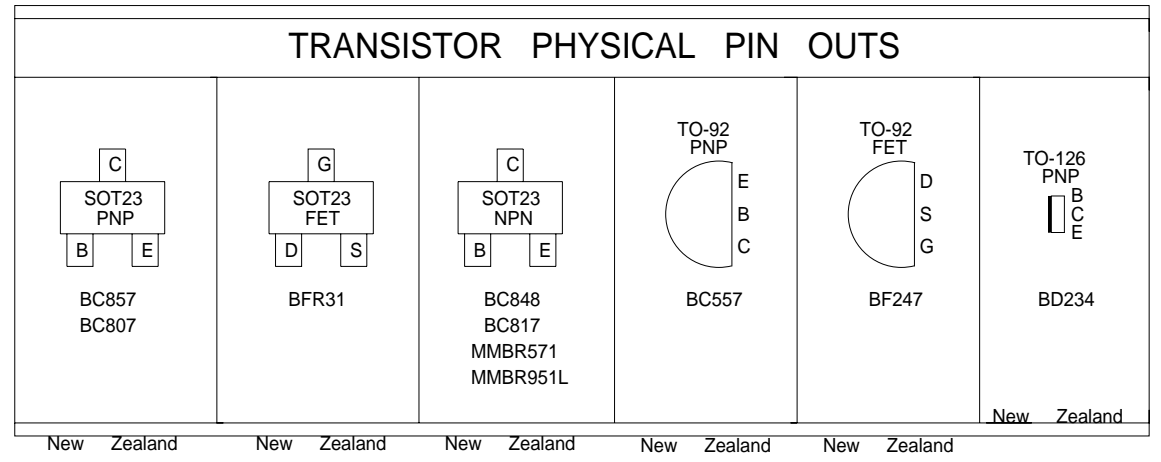
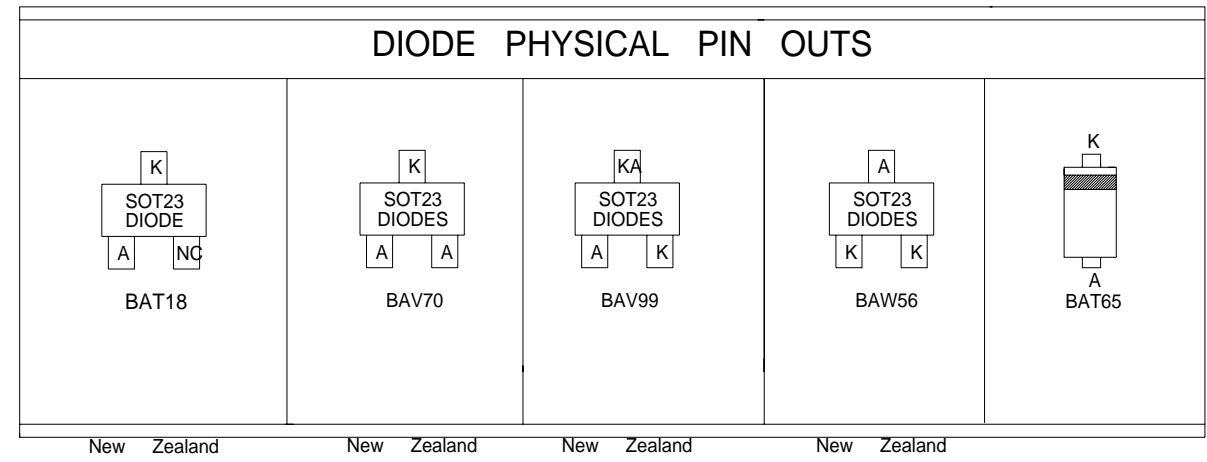
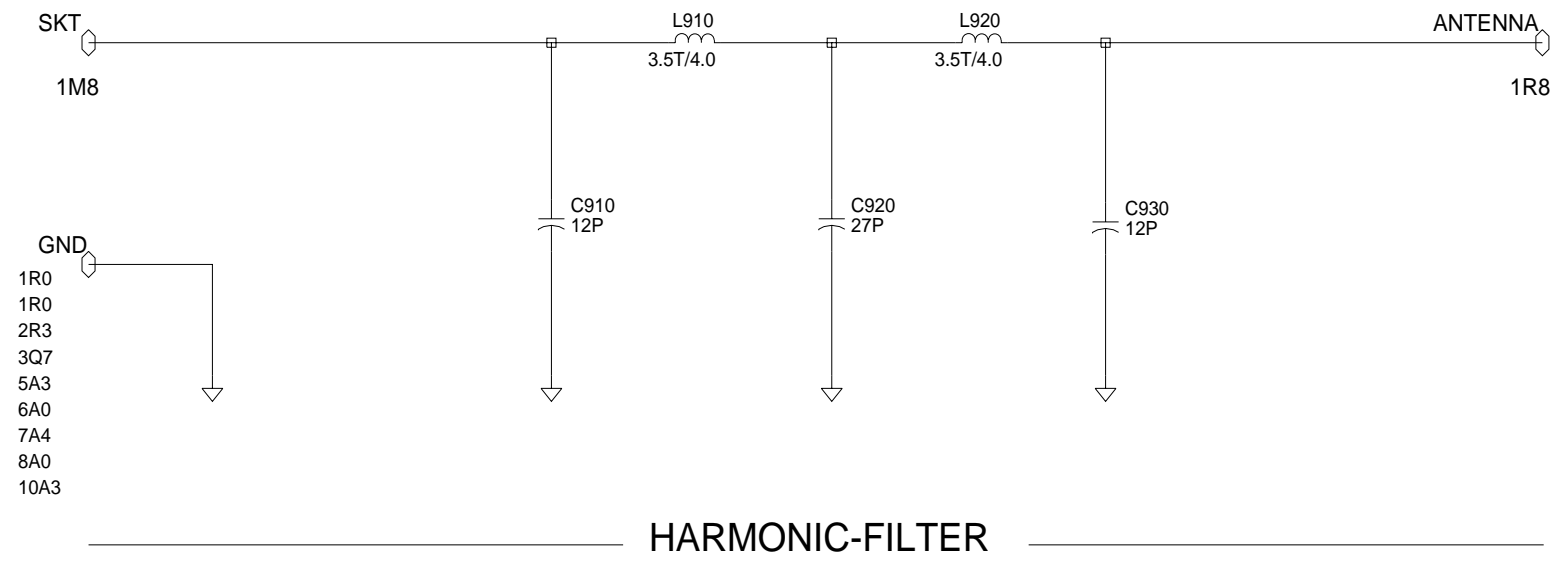
4

3

2

1

0



© **TAIT ELECTRONICS**

T837EX
HARMONIC-FILTER

IPN:	ISSUE:	ID:
220-01390-03	3C	2.SC. 9
PROJECT:	DESIGNER:	FILE NAME:
T837	MAJ	139003C
FILE DATE:	NO.SHEETS:	
17-03-99	10	

REV/ISS	AMENDMENTS	DRAWN	CHKD	D.O.	APVD	DATE
---------	------------	-------	------	------	------	------

A B C D E F G H J K L M